

# 36" Bottom Mount French Door Refrigerator

KFNF 9955 iDE



# 36" Bottom Mount French Door Refrigerator KFNF 9955 iDE



## KFNF 9955 iDE

### Features:

- NEW: Miele PerfectCool Series
- French Door
- Plumbed IceMaker
- Soft Close Door
- Gallon Door Bin
- Comfort Clean Door Bin
- Double Freezer Drawers
- PerfectFresh
- Energy Star
- Sabbath Mode

## SPECIFICATIONS

**KFNF 9955 iDE – Item 38995500USA**

Overall Unit Width 35<sup>13</sup>/<sub>16</sub>" (910mm)

Overall Unit Height 79<sup>13</sup>/<sub>16</sub>" (2027mm)

Overall Unit Depth 24" (610mm)

### Niche

Cabinet Opening Width 36" (915mm)

Minimum Cabinet Opening Height 80" (2032mm)

Minimum Cabinet Opening Depth ≥ 24" (610mm)

### Interior Volume

Fresh Food Volume 12.9 cu-ft (365 L)

Freezer Volume 6.0 cu-ft (170 L)

### Plumbing

**Water Supply Requirements** Connect to a cold water supply only. Must be connected to a shut-off valve. The water shut-off valve must be accessible after installation. The water pressure must be between 22 psi (1.5 bar) and may not exceed 87 psi (6 bar). If the pressure is higher than 87 psi (6 bar), a pressure reducing valve must be installed.

**Water Connection Line** Use 1/4" OD copper line. Water line is not included.

### Electrical

**Electrical Requirements - Volts/Amps** 110V / 120V, 60Hz, 15 A (single)  
110V / 120V, 60Hz, 20 A (side-by-side)

**Power Cord - Plug and length** NEMA 5-15 plug, 7' 10<sup>1</sup>/<sub>2</sub>" (2.4m)

### Ventilation

**Additional cutout** Not Required

### Custom Panel

**Maximum Panel Weight** Top Panels - 26<sup>1</sup>/<sub>2</sub> lbs (12 kg)  
Middle Panel - 22 lbs (10 kg)  
Bottom Panel - 22 lbs (10 kg)

**Maximum Panel Thickness** 3/4" (19mm)

**Minimum Panel Thickness** 5/8" (16mm)

### Shipping

**Shipping Weight** 383.5 lbs (174 kg)

**Shipping Dimensions** 38<sup>1</sup>/<sub>16</sub>" W x 83<sup>5</sup>/<sub>8</sub>" H x 29<sup>1</sup>/<sub>2</sub>" D

### Support

**Call Miele** (800) 999-1360

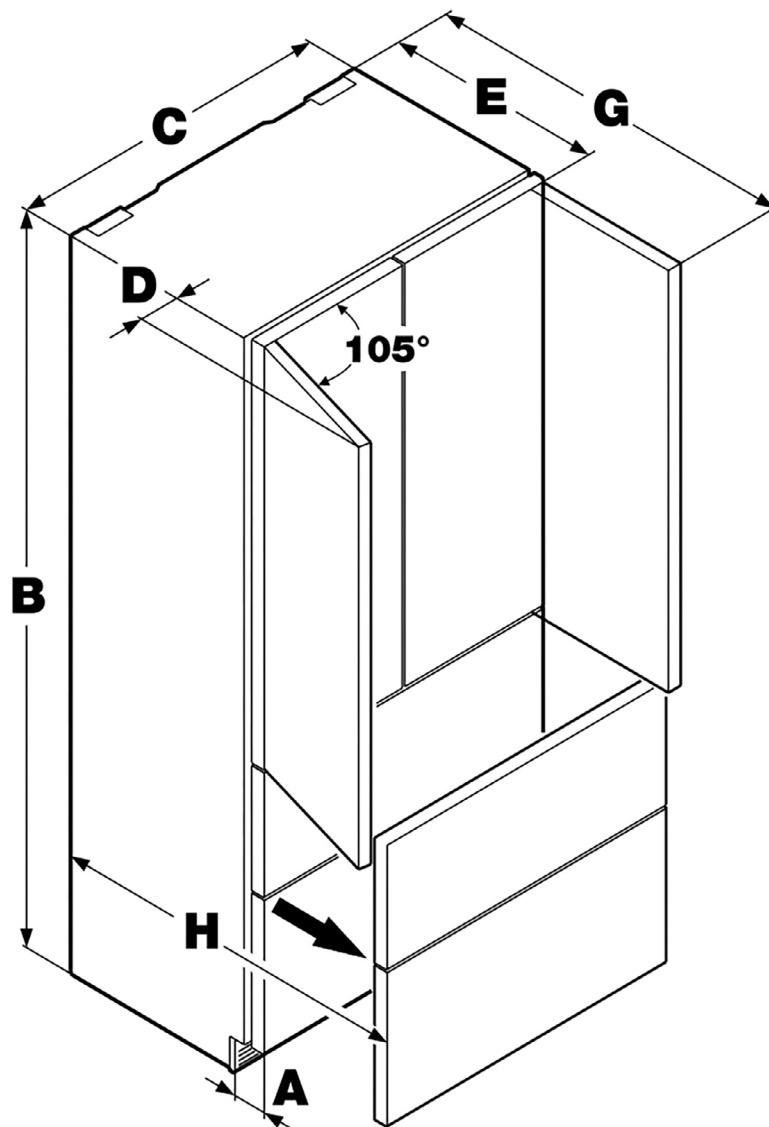
**Miele Website** [www.mieleusa.com](http://www.mieleusa.com)

**20/20 Link** [2020technologies.com](http://2020technologies.com)

# 36" Bottom Mount French Door Refrigerator KFNF 9955 iDE



## Unit Dimension



- A = 3" (76 mm)
- B = 79-13/16" (2027 mm)
- C = 35-13/16" (910 mm)
- D = 3" (76 mm)
- E = 24" (610 mm)
- G = 42-7/16" (1078 mm)
- H = 37-1/8" (943 mm)

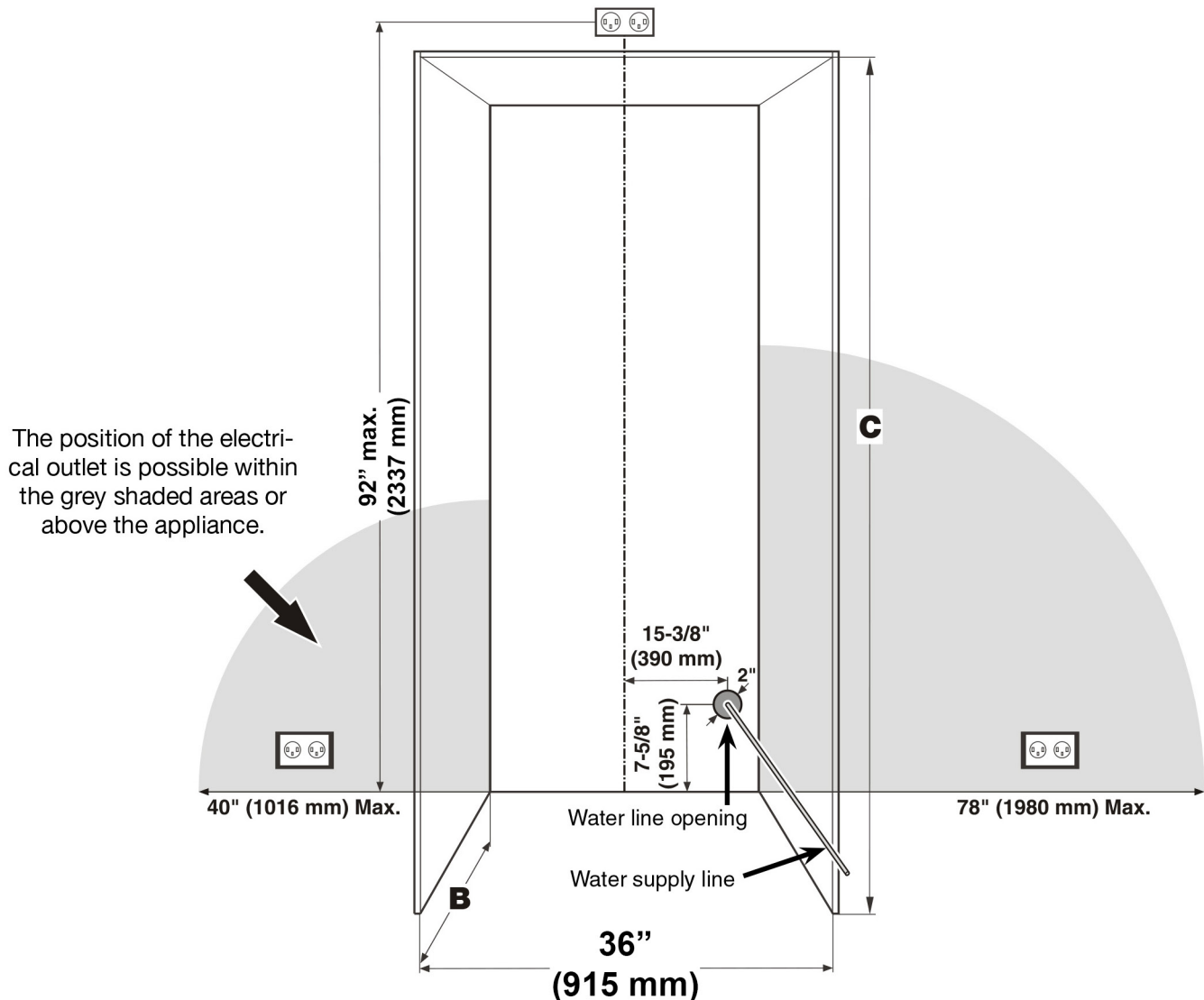
# 36" Bottom Mount French Door Refrigerator KFNF 9955 iDE



## Niche, Water Line, and Electrical Dimensions

Cabinet Height <b>C</b>	Inset cabinet Depth <b>B</b>	Frameless/faceframe cabinet Depth <b>B</b>
80" (2032 mm)	24" (610mm) + panel thickness	24" (610 mm)

For appliance with panel to be flush, adjacent cabinetry depth must equal appliance depth [24" (610 mm)] plus panel thickness [5/8" (16 mm) - 3/4" (19 mm)].

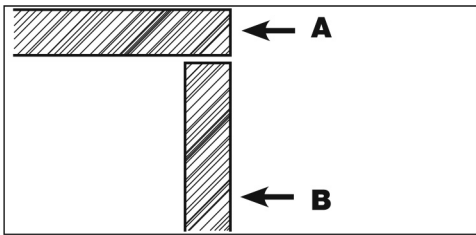


### Important Notes:

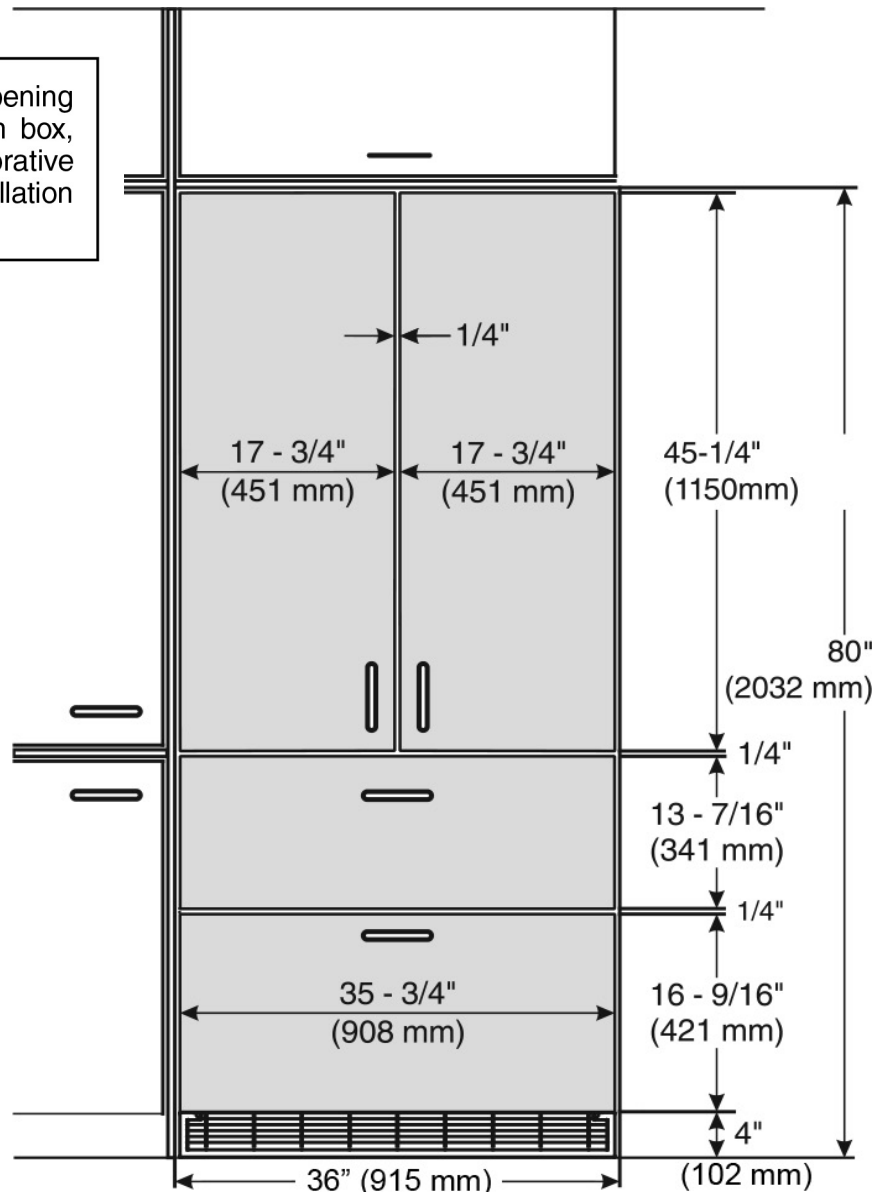
- Do not install shut-off valve behind the appliance.
- For 24" (610 mm) deep cabinets, the water line opening must be in the location shown above.
- Cabinets deeper than 24" (610 mm), there are no requirements for location of water line.
- The length of the water supply line must be at least 31½" (800 mm) when the tube comes out of the prescribed opening

## Panel Details For Inset Installation

Appliance and panels sit fully within the opening and are flush with what could be its own box, between two pantry cabinets or decorative columns, etc. This is the most common installation scenario.



Side view, A: Built-in cabinet, B: cabinet door



### Flush installation

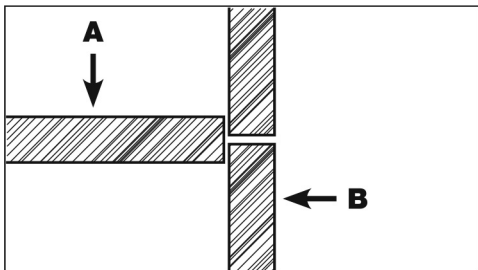
To avoid a collision of the appliance doors with adjacent furniture, please note the following:

Thickness of the cabinet door	Opening angle of the appliance doors
5/8" (16 mm)	No limitation required
3/4" (19 mm)	Recommended limitation to 95° *

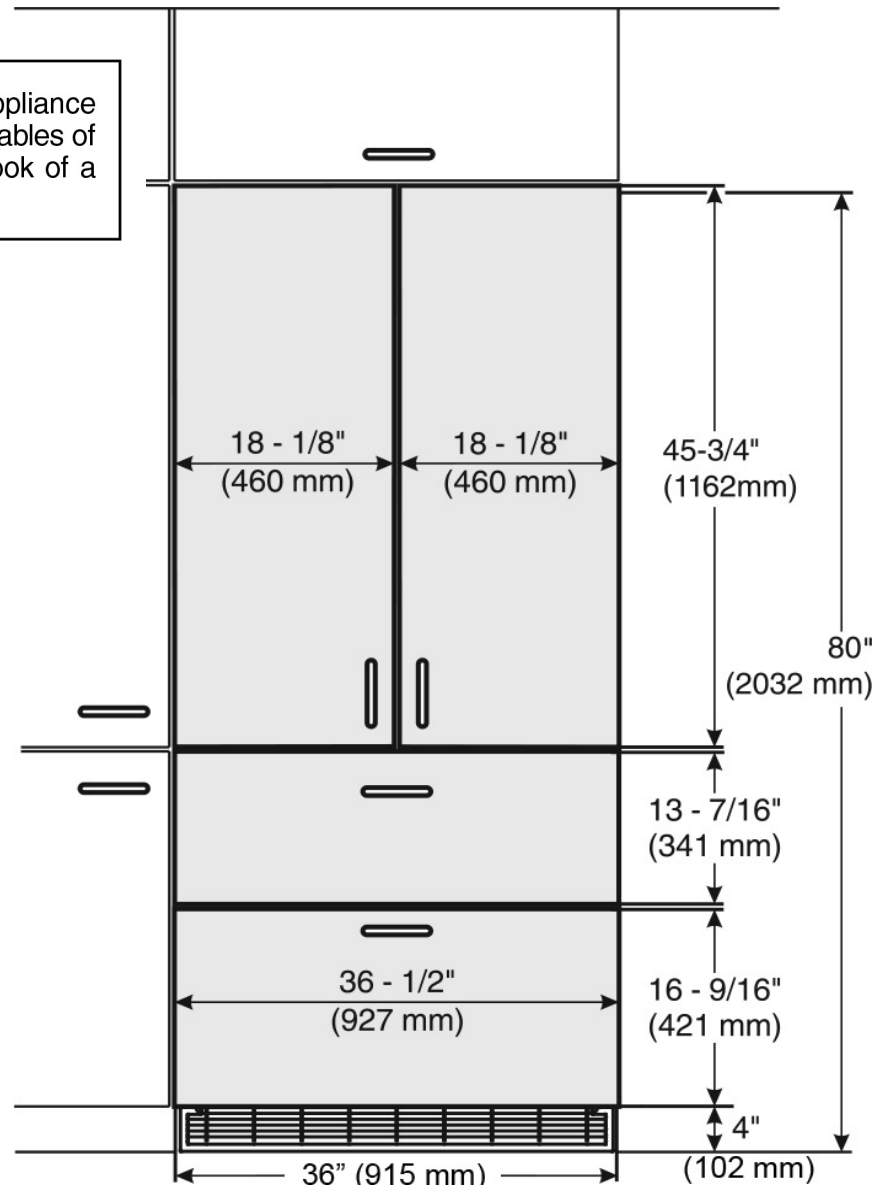
\* Use the door opening angle limiter pins supplied (see "Limiting the opening angle of the appliance door").

## Panel Details For Frameless Installation

With this installation style, these wider appliance panels partially overlay the shared side gables of adjacent cabinetry so as to mimic the look of a frameless style cabinet.



Side view, A: Built-in cabinet, B: cabinet door



### Frameless installation

To avoid a collision of the appliance doors with adjacent furniture, please note the following:

Thickness of the cabinet door	Distance all-round to adjacent furniture	Opening angle of appliance doors
5/8" (16 mm)	less than 1/4" (6 mm)	Recommended limitation to 95° *
3/4" (19 mm)	less than 3/8" (10 mm)	Recommended limitation to 95° *

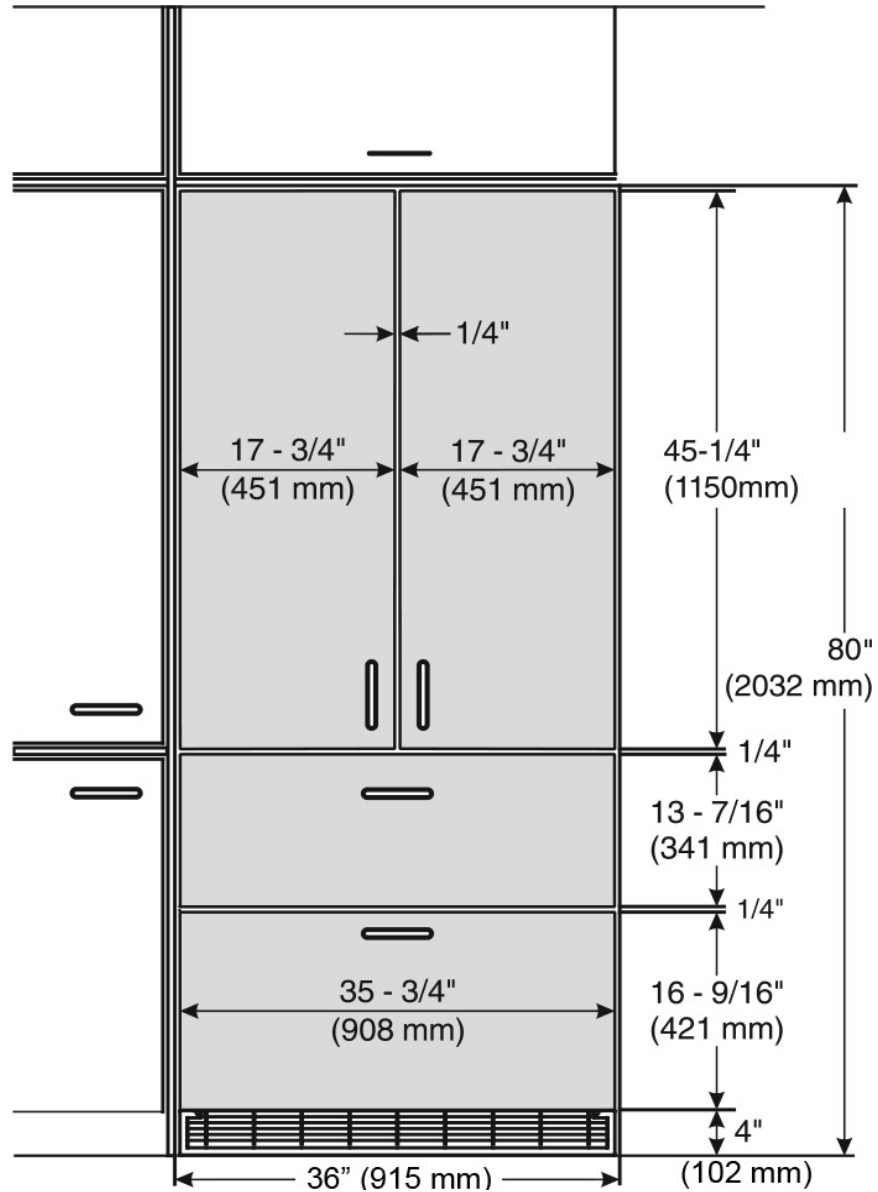
\* Use the door opening angle limiter pins supplied (see "Limiting the opening angle of the appliance door").

# 36" Bottom Mount French Door Refrigerator KFNF 9955 iDE



## Stainless Steel Panel Details

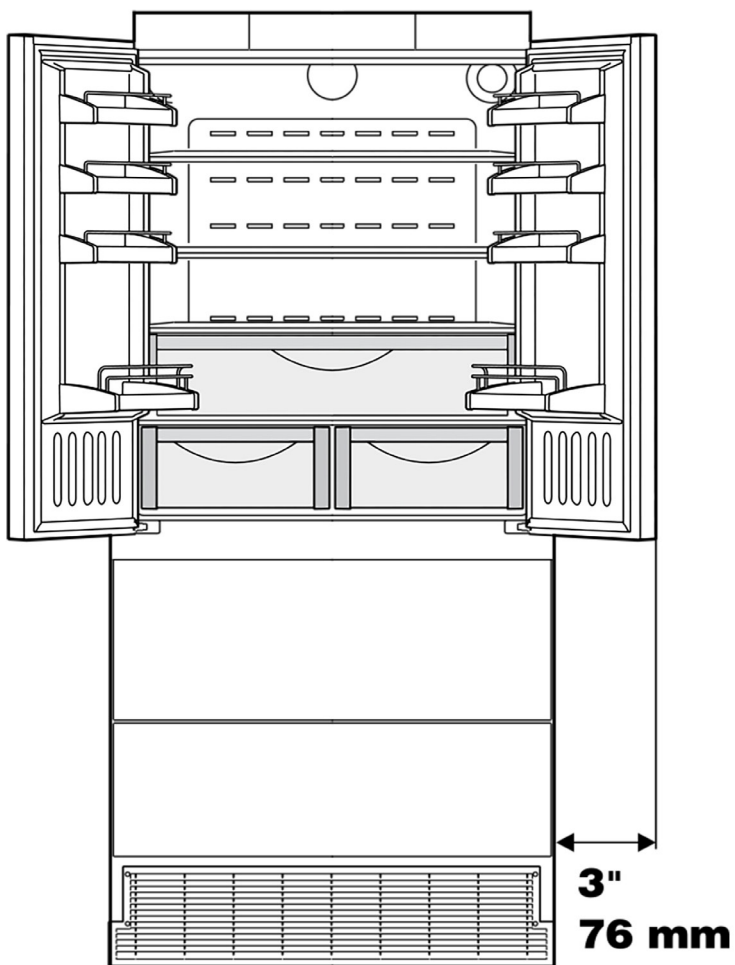
PART NUMBERS	
Stainless Steel Panels	Item #
Cooling Compartment	38996128USA
Freezer Compartment	38996129USA



# 36" Bottom Mount French Door Refrigerator KFNF 9955 iDE



## Door Swing Details



### Important Notes:

- Please allow for door swing clearance at locations next to a wall
- The illustrated measurement is without mounted front panels nor handles. Be sure to add your panel thickness and handle depth to the measurement in order to avoid interferences.

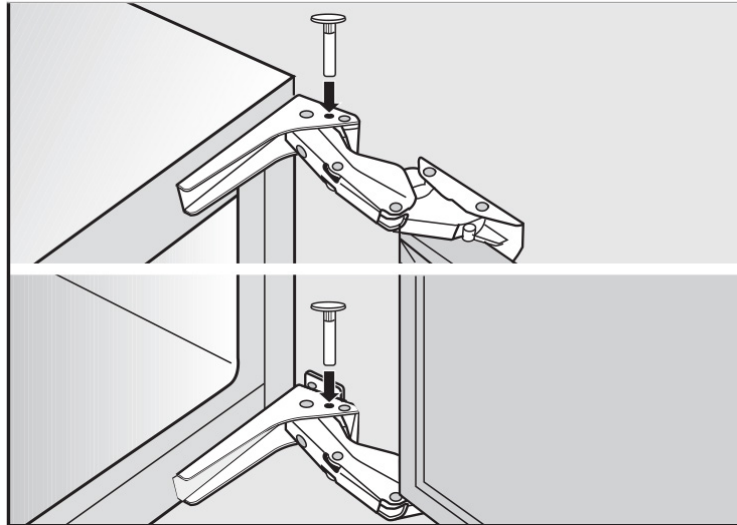


# 36" Bottom Mount French Door Refrigerator KFNF 9955 iDE



## ADJUSTABLE DOOR HINGE

95° or 120° Opening



The door hinges are factory set so that the door can be opened wide.

However if the opening angle of the door needs to be limited for any reason, the hinge can be adjusted to accommodate this.

Insert the limit pins provided into the hinges from above. This will limit the opening angle of the appliance door to 95°.