

## 36" All Gas Range

HR 1134 G, HR 1134 LP



# 36" All Gas Range

## Model: HR 1134 G / HR 1134 LP



### HR 1134 G / HR 1134 LP

#### Features:

- DirectSelect controls
- M Pro dual stacked burner system with TrueSimmer
- ComfortClean dishwasher-safe grates
- 5 Operating modes including Self Clean
- Twin Convection fans
- Soft Open and Soft Close
- Clean Touch Steel™ front

#### SPECIFICATIONS

|  |   |
|--|---|
| HR 1134 G                                    | Item 25113451USA  |
| HR 1134 LP                                   | Item 25113452USA  |
| Overall Unit Width                           | 35 <sup>15</sup> / <sub>16</sub> " (913 mm)   |
| Overall Unit Height to Cooktop               | 35 <sup>1</sup> / <sub>2</sub> " – 37" (901.7 – 939.8 mm)   |
| Overall Unit Depth to Front of Control Panel | 26 <sup>1</sup> / <sub>2</sub> " (673 mm)   |
| Oven Door Clearance                          | 22 <sup>3</sup> / <sub>4</sub> " (577 mm)   |
| <b>Niche</b>                                 |   |
| Minimum Cabinet Niche Width                  | 36" (914 mm)  |
| Minimum Cabinet Opening Height               | 35 <sup>1</sup> / <sub>2</sub> " (901.7 mm)   |
| <b>Burners (G/LP)</b>                        |   |
| Gas Burners:                                 | M Pro Power Plus - Standard Configuration*  |
| Total BTU Output                             | (1) 12,500 BTU (G/LP); (5) 19,500 BTU (G/LP)  |
| <b>Oven Burners (G/LP)</b>                   |   |
| Oven Top Burner:                             | 22,000 BTU (G); 20,150 BTU (LP)   |
| Oven Bottom Burner:                          | 25,500 BTU (G); 27,000 BTU (LP)   |
| <b>Gas</b>                                   |   |
| Gas Line Connection                          | 1/2" NPT  |
| <b>Operational Altitudes</b>                 |   |
|  | Miele Natural Gas and LP Ranges and Rangetops will function up to 9,800 ft. in altitude without adjustment; the following exception will function up to 6,500 ft. in altitude without adjustment:   |
| High Altitude                                | <ul style="list-style-type: none"> <li>• Griddle in LP: HR 1136 LP, HR 1936 LP, HR 1956 LP, KMR 1136 LP, KMR 1356 LP</li> <li>• Grill in G: HR 1135 G, HR 1935 G, HR 1955 G, KMR 1135 G, KMR 1355 G</li> </ul> <p>If an installation exceeds these elevations, please contact <a href="mailto:rangejetkit@mieleusa.com">rangejetkit@mieleusa.com</a>.</p> |
| <b>Electrical</b>                            |   |
| Electrical Requirements                      | 120V, 60Hz, 15 Amps   |
| Power Cord                                   | NEMA 5-15 plug, 5' 11" (1.8 m) long   |
| <b>Shipping</b>                              |   |
| Shipping Weight                              | 438.7 lbs (199 kg)  |
| Shipping Dimensions                          | 43 <sup>9</sup> / <sub>16</sub> " (1100 mm) W x 52" (1,294 mm) H x 31 <sup>1</sup> / <sub>2</sub> " (800 mm) D  |
| <b>Support</b>                               |   |
| Call Miele                                   | 800.843.7231  |
| Miele Website                                | <a href="http://www.mieleusa.com">www.mieleusa.com</a>  |
| 20/20 Link                                   | <a href="http://2020technologies.com">2020technologies.com</a>  |

\* Please note if a BTU-reducing kit is necessary, an authorized installer is required to modify the product to meet ANSI Z21.

# 36" All Gas Range

## Model: HR 1134 G / HR 1134 LP



### Optional Accessories:



12" Backguard  
RBGAG1236

12" tall high-quality brushed stainless steel Backguard



20" Backguard  
RBGAG2036

20" tall high-quality brushed stainless steel Backguard



40" Backsplash  
RBS36

40" tall flat stainless steel Backsplash panel

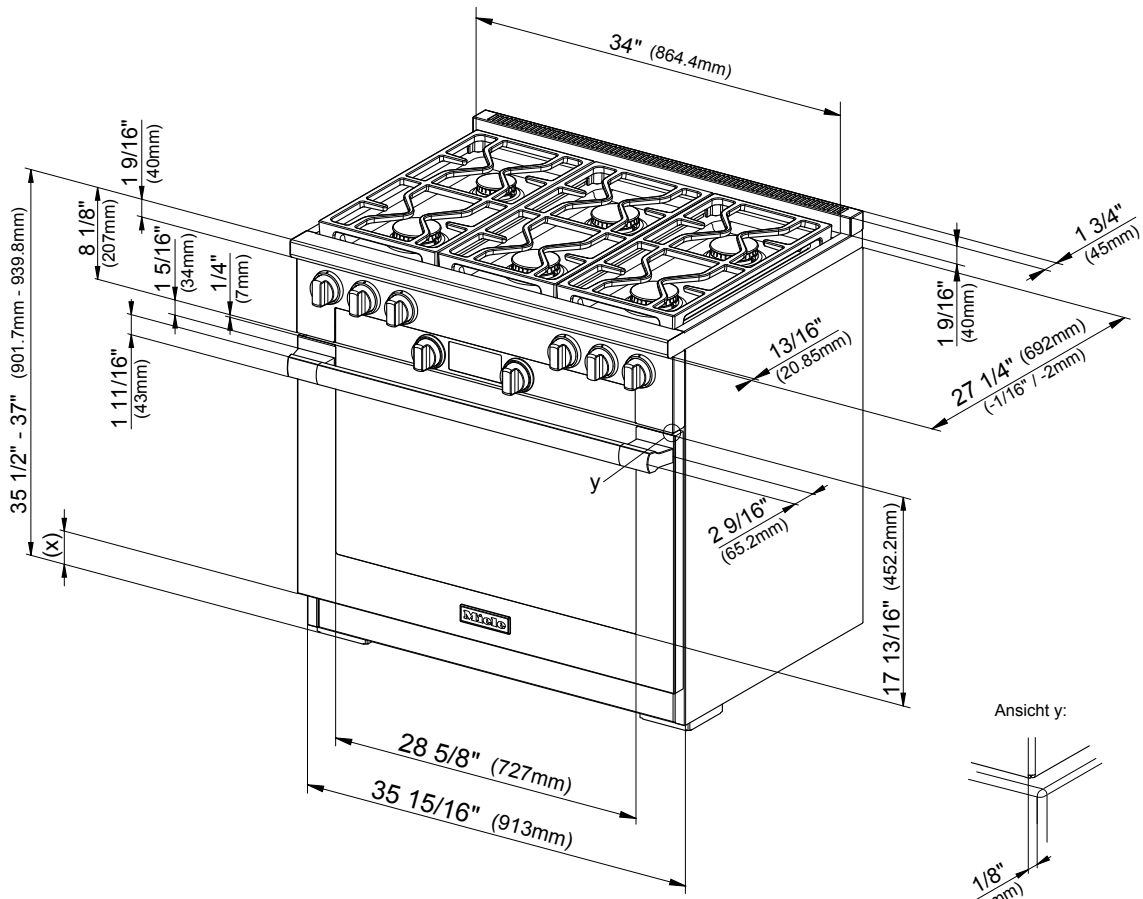
# 36" All Gas Range

## Model: HR 1134 G / HR 1134 LP

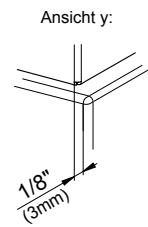


### PRODUCT VIEWS

Isometric



(x) = Toe-kick height adjustment 5" - 6 1/2" (127 mm - 165.1 mm)



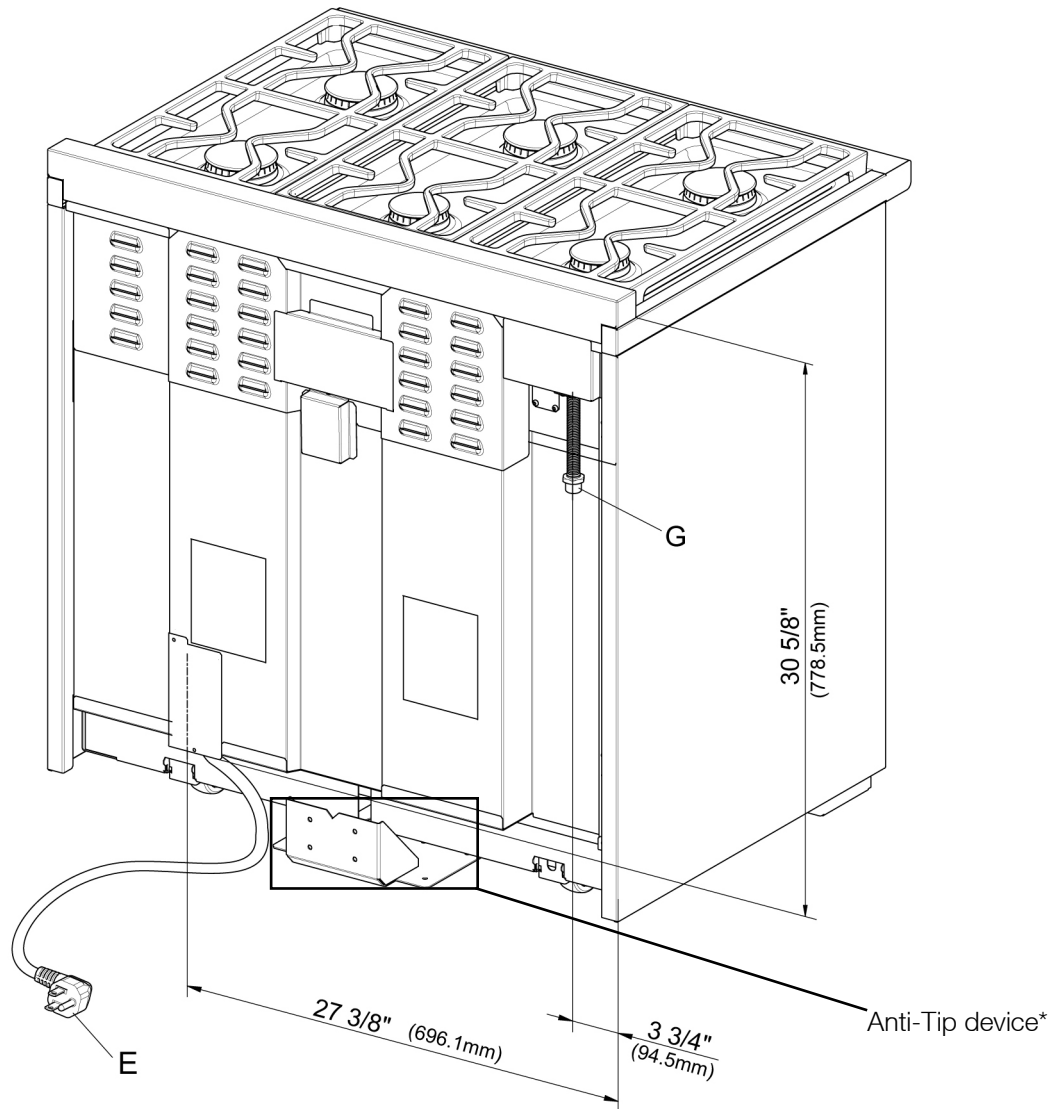
# 36" All Gas Range

## Model: HR 1134 G / HR 1134 LP



### PRODUCT VIEWS

Rear View



E = Electrical connection

G = Gas connection

\*Anti-tip device must be fastened securely in place to all studs or floor. Please refer to the Anti-tip device section in the installation manual for further details.

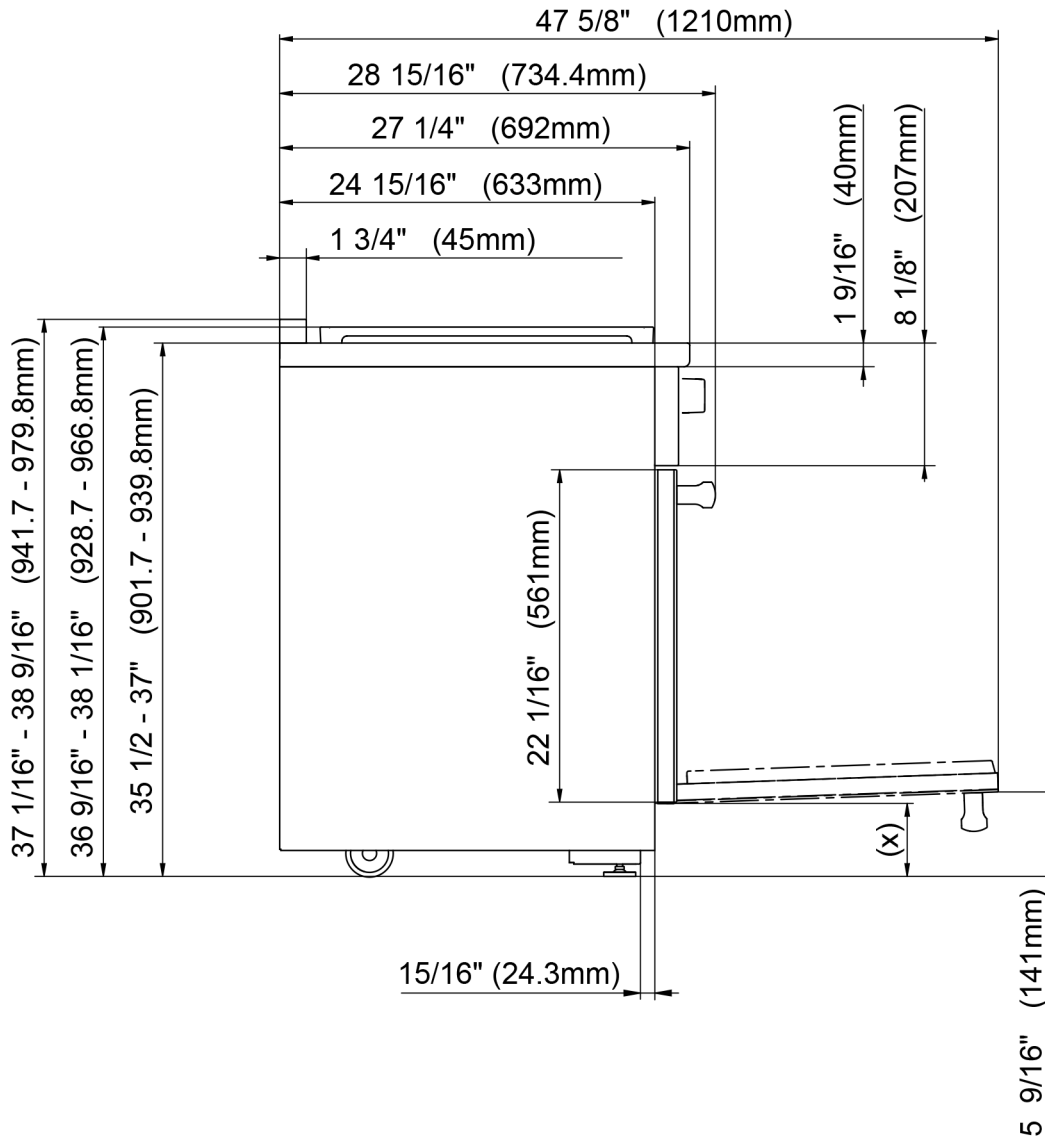
# 36" All Gas Range

## Model: HR 1134 G / HR 1134 LP



### PRODUCT VIEWS

#### Detailed Side View



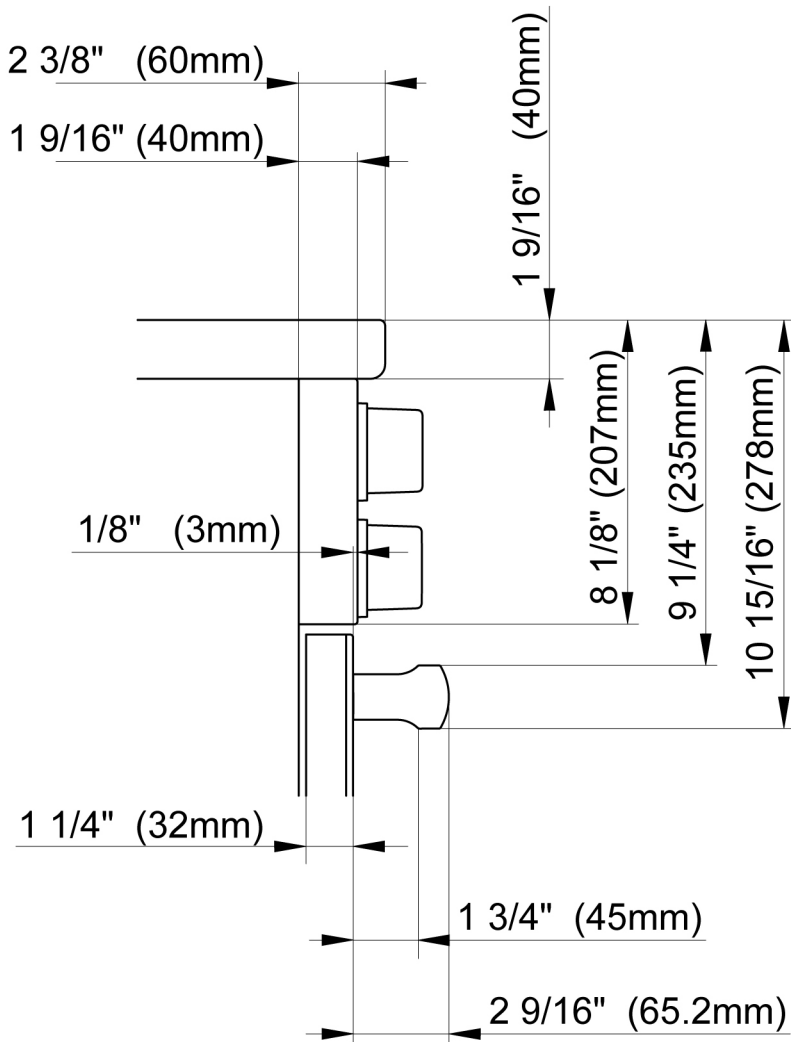
(x) = Toe-kick height adjustment 5" - 6 1/2" (127 mm - 165.1 mm)

36" All Gas Range  
Model: HR 1134 G / HR 1134 LP



PRODUCT VIEWS

Detailed Bullnose and Handle View



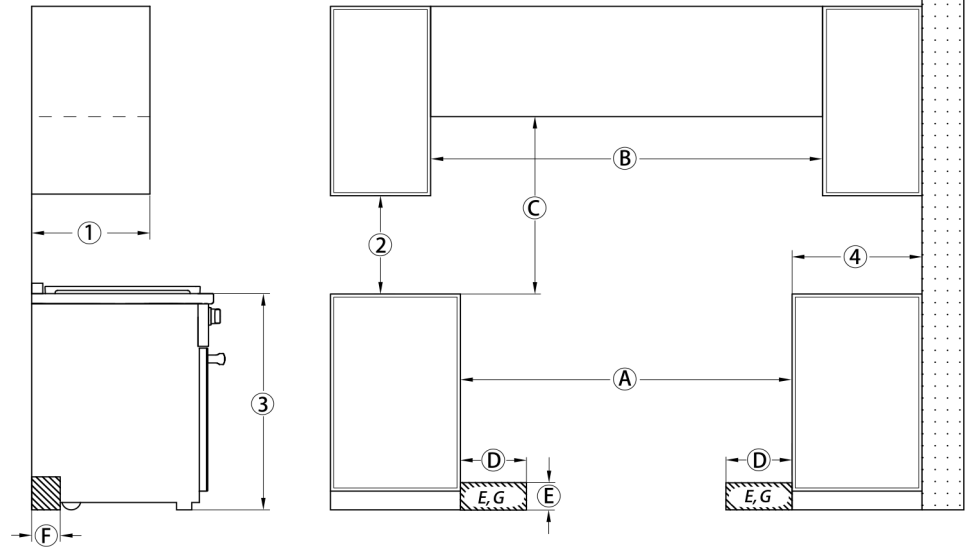
# 36" All Gas Range

## Model: HR 1134 G / HR 1134 LP



### M Pro Power Plus Configuration

Standard Configuration with Pro Hood\*



Ⓑ In case of combustible materials, a minimum distance of 6" must be observed on each side in addition to dimension Ⓐ.

Ⓓ, Ⓔ, Ⓕ The shaded area represents the installation area for the connections:  
E = Electrical connection, G = Gas connection

#### M Pro Power Plus SPECIFICATIONS

##### Burners (G/LP)

Gas Burners: (1) 12,500 BTU (G/LP);  
(5) 19,500 BTU (G/LP)

Total BTU Output 110,000 BTU (G/LP)

| Position   | Dimensions                           | Description  |                             |
|--|--------------------------------------|--|-----------------------------|
| Ⓛ  | 13" (330 mm)                         | Maximum depth of top cabinet   |                             |
| Ⓜ  | 18" (457 mm)                         | Minimum distance to bottom edge of top cabinet   |                             |
| Ⓝ  | 35 1/2"–37"<br>(901–940 mm)          | Distance from the floor to cooktop surface   |                             |
| Ⓞ  | 10" (254 mm)                         | Minimum distance to combustible surfaces.  |                             |
| Ⓐ  | Min. 36"<br>(914 mm)                 | Width of cabinet opening   |                             |
| Ⓑ  | 6" + Ⓐ + 6"<br>(150 mm + Ⓐ + 150 mm) | If combustible materials are present, an additional minimum distance of 6" (150 mm) (each side) is required. Ensure that the local codes are observed. |                             |
| Ⓒ  | 37" (940 mm)                         | Minimum distance between the top of the cooking area and the bottom of an unprotected combustible surface.   |                             |
|  | 36" (914 mm)                         | Minimum distance between the top of the cooking area and the bottom of the Miele Range Hood (DAR model with DRxB XL blower).                           |                             |
|  | 30" (762 mm)                         | Minimum distance between the top of the cooking area and the bottom of the Miele Range Hood (DAR model with DRxB XXL blower).                          |                             |
| For all other Hoods please consult the manufacturer's specifications for required distances. |                                      |  |                             |
| Ⓓ  | Approx. 13 3/4"<br>(350 mm)          | Maximum connection width right and left  | Position of the wall socket |
| Ⓔ  | Approx. 4 1/2"<br>(115 mm)           | Maximum connection height  |                             |
| Ⓕ  | Approx. 2 13/16"<br>(72 mm)          | Maximum connection depth   |                             |

\* Please note if a BTU-reducing kit is necessary, an authorized installer is required to modify the product to meet ANSI Z21.



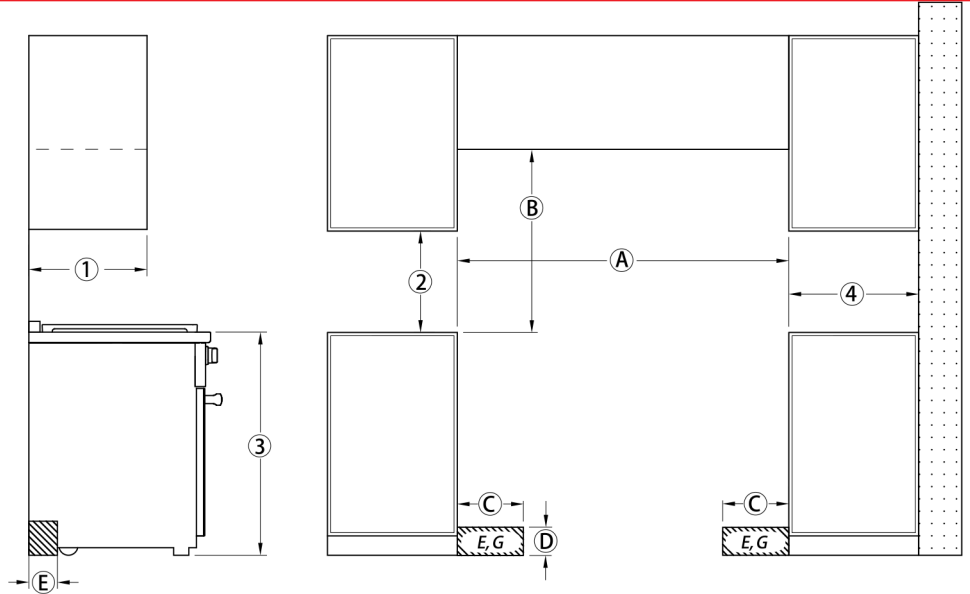
# 36" All Gas Range

## Model: HR 1134 G / HR 1134 LP



### M Pro Power Configuration

Seamless Configuration with Pro Hood (Zero Gap)



Ⓒ, Ⓓ, Ⓔ The shaded area represents the installation area for the connections:  
E = Electrical connection, G = Gas connection

| M Pro Power SPECIFICATIONS |   |
|----------------------------|---|
| Burners (G/LP)             |   |
| Gas Burners:               | (1) 10,000 BTU (G/LP);<br>(5) 14,700 BTU (G/LP) |
| Total BTU Output           | 83,500 BTU (G/LP)                               |

**Jets are a standard accessory and are changed during installation**

| Position   | Dimensions                  | Description   |                             |
|--|-----------------------------|---|-----------------------------|
| ①  | 13" (330 mm)                | Maximum depth of top cabinet  |                             |
| ②  | 18" (457 mm)                | Minimum distance to bottom edge of top cabinet  |                             |
| ③  | 35 1/2"–37"<br>(901–940 mm) | Distance from the floor to cooktop surface  |                             |
| ④  | 10" (254 mm)                | Minimum distance to combustible surfaces.   |                             |
| Ⓐ  | Min. 36"<br>(914 mm)        | Width of cabinet opening<br>Please contact Miele Service for more information.  |                             |
| Ⓑ  | 37" (940 mm)                | Minimum distance between the top of the cooking area and the bottom of an unprotected combustible surface.                    |                             |
|  | 36" (914 mm)                | Minimum distance between the top of the cooking area and the bottom of the Miele Range Hood (DAR model with DRxB XL blower).  |                             |
|  | 30" (762 mm)                | Minimum distance between the top of the cooking area and the bottom of the Miele Range Hood (DAR model with DRxB XXL blower). |                             |
| For all other Hoods please consult the manufacturer's specifications for required distances. |                             |   |                             |
| Ⓒ  | Approx. 13 3/4"<br>(350 mm) | Maximum connection width right and left   | Position of the wall socket |
| Ⓓ  | Approx. 4 1/2"<br>(115 mm)  | Maximum connection height   |                             |
| Ⓔ  | Approx. 2 13/16"<br>(72 mm) | Maximum connection depth  |                             |

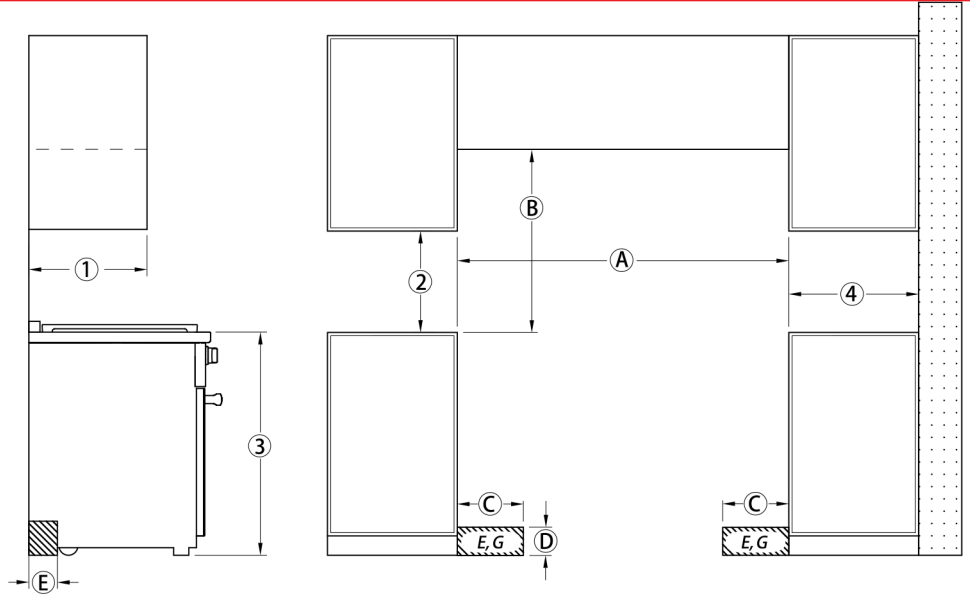
# 36" All Gas Range

## Model: HR 1134 G / HR 1134 LP



### M Pro Configuration

Seamless Configuration with Non-Pro (Décor)



Ⓒ, Ⓓ, Ⓔ The shaded area represents the installation area for the connections:  
E = Electrical connection, G = Gas connection

| M Pro SPECIFICATIONS |   |
|----------------------|---|
| Burners (G/LP)       |   |
| Gas Burners:         | (1) 10,000 BTU (G/LP);<br>(5) 12,200 BTU (G/LP) |
| Total BTU Output     | 71,000 BTU (G/LP)                               |

**Jets are a standard accessory and are changed during installation**

| Position | Dimensions  | Description  |                             |
|----------|---|--|-----------------------------|
| ①        | 13" (330 mm)  | Maximum depth of top cabinet   |                             |
| ②        | 18" (457 mm)  | Minimum distance to bottom edge of top cabinet                                 |                             |
| ③        | 35 1/2"–37"<br>(901–940 mm)   | Distance from the floor to cooktop surface                                     |                             |
| ④        | 10" (254 mm)  | Minimum distance to combustibles.  |                             |
| Ⓐ        | Min. 36"<br>(914 mm)  | Width of cabinet opening<br>Please contact Miele Service for more information. |                             |
| Ⓑ        | Please refer to Miele ventilation hood installation manual, Appliance Dimensions section ( <b>Distance between cooktop and hood (S)</b> )<br>For all other Hoods please consult the manufacturer's specifications for required distances. |  |                             |
| Ⓒ        | Approx. 13 3/4"<br>(350 mm)   | Maximum connection width right and left  | Position of the wall socket |
| Ⓓ        | Approx. 4 1/2"<br>(115 mm)  | Maximum connection height  |                             |
| Ⓔ        | Approx. 2 13/16"<br>(72 mm)   | Maximum connection depth   |                             |