

L1 2-Sided

- Long Beach Driftwood
- Fluted Black liner
- Two 1" Black Powder Coated trim



L1 2-SIDED COMPONENTS 40" x 2 viewing area

ENGINES direct vent	Natural Gas	1600JN
	Propane	1600JP

FUEL BEDS	Long Beach Driftwood	1505DWK
	Murano Glass	1500DGM
	Decorative Glass	1500DGS
	Rock and Shale	1514RSS
	Splitwood NEW	1500SWK

LINERS, SIDE PANELS	Fluted Black	1615FBL
	Reflective Glass	1625RGL

SURROUNDS			
1"	Adjustable Black Powder Coated trim	1575LFB	41½"w x 16¼"h
3½"	Black Powder Coated	1550LSBv2	46¾"w x 21¼"h
	Brushed Nickel Plated	1550LSPv2	
	Bronze Powder Coated	1550LSZv2	

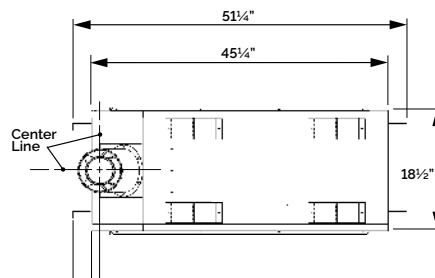
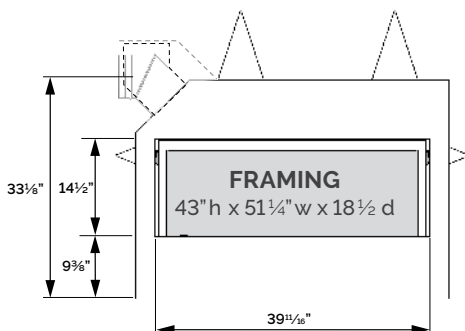
CONTROLS	ValorStat Plus Remote	GV60	included 
	Remote Battery and Wall Switch	RBWSK	

OPTIONAL	Decorative Rock	1506DRK	for use with Long Beach Driftwood
	Lighting	1565LLK	not for use with Reflective Glass liner
	1-Hour Shut Down Handset	GV60BRK	
	Simple, Non-Thermostat Handset	GV60NTK	
	Outdoor Conversion Kit	GV60CKO	not for inside/outside facing use.
	Circulating Fan	1595CFK	

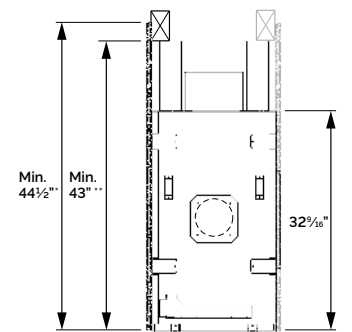
FUEL BTU/hr	Model	Fuel	Max. Input	Min. Input	Max. Output w/out fan	EnerGuide*	
	1600JN	NG	30,000	18,000	22,116	69%	Certified to ANSI Z21.88-2014/CSA 2.33-2014 Vented Gas Fireplace Heater American National Standard CGA - 2.17-91 Gas Fired Appliances for use at High Altitudes.
	1600JP	LPG	26,000	18,500	19,198		

*EnerGuide Ratings and Outputs have been determined without a fan/blower, using the CSA P.4.1-15 test method.

L1 2-SIDED DIMENSIONS



Minimum 12" vertical run for horizontal termination.



*Minimum to top of cement board.
**Minimum to underside of header.

The right heat in the right place.

Keeps wall cooler

Valor's unique **HeatShift™** naturally circulates as much as 125 cubic feet of convective heat per minute through hidden ducts and back into the room—completely avoiding the wall and surface areas above the fireplace. So valued artwork, a TV or construction materials stay cooler.

Improves overall performance

- A raised heat outlet improves convection airflow—reducing wall temperatures and improving overall performance—circulating warm air back into the room at a higher elevation.
- Harnessing convective warmth, up to 60% of fireplace heat rises and flows through **HeatShift™** and back into the room. The remaining radiant heat emanates from the fireplace, warming people and their space.

No electricity or fan required

- Heatshift circulates heat naturally using gravity and Valor product ingenuity—no need for a fan or electricity. No power—no problem.

More options for construction

- Run standard finishing materials right up to the fireplace surround, including drywall, wood, tile, and stone.
- Install mantels at a one-to-one ratio of depth to height from the fireplace surround when using **HeatShift™**.

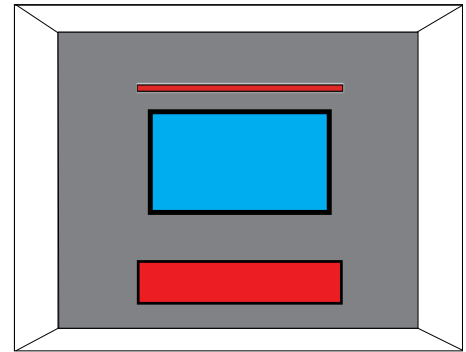
Meets North American Building codes

- Unlike many competitor products in the field, **HeatShift™** utilizes standard construction techniques, meeting code requirements across North America.
- Built and designed in North America for North American homes.

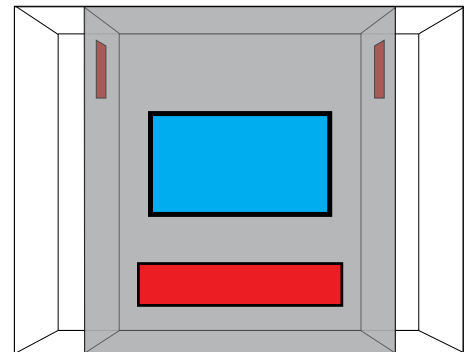
Zone heating

- Looking to heat other areas in your home? HeatShift's **Remote Blower (1270RBK)** option helps manage your heat effectively by distributing warmth to other areas of your home—such as bedrooms, hallways or utility rooms.

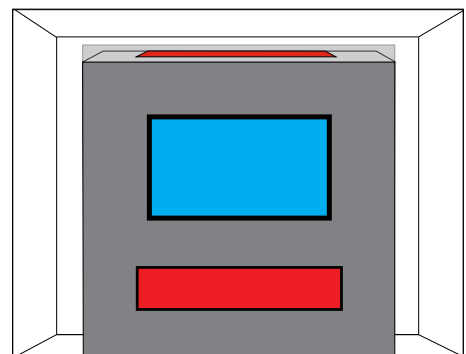
Flexible **HeatShift™** options:



Front wall outlet



Side wall outlets



Outlet behind valance

SmartFire™

RADIANT HEAT

Like heat from the sun, Valor fireplaces distribute radiant warmth directly to your living space. Radiant heat satisfies human comfort needs, using up to 25% less energy compared to traditional forced air systems. Valor warmth efficiently replaces the chill from cold windows and doors with steady, even heat to people and objects in the room.



PACIFIC NORTHWEST DESIGN, DEVELOPMENT & DISTRIBUTION

Locally owned and operated in the Pacific Northwest, every Valor fireplace is designed, developed and manufactured exclusively for North America. With a proven product family history, Valor continues to introduce unique fireplaces that stand the test of time.

EASY CONTROL

Standard with every fireplace, our ValorStat remote gives you full control of your experience. Adjust the flame and heat to meet your desired comfort level as the room warms or as the outside temperature falls—truly a fireplace for all seasons.



THE COMFORT ZONE

Reduce your furnace's output of hot air into empty rooms and unused spaces.

Zone heating requires no ducting or forced air, and delivers radiant and convective warmth to the spaces you frequent the most. Where you want it—when you want it.



BURN CLEAN, ENGINEERED GREEN

Valor specializes in the design of clean heat solutions for your home.

Our fireplaces use natural gas, the cleanest fireplace fuel you can burn, with the lowest particulate levels and lowest levels of greenhouse gases on the market.



PRODUCT VERSATILITY

Valor products are extremely diverse in their application and design. Whether new construction or home renovation, we offer a wide range of options to help you select the right fireplace for your personal heating needs.



THINK SMART, SAVE MONEY

Valor designs innovative fireplaces that include many cost-saving features: for example, pilot flame that automatically turns off if your fireplace is inactive for over five days, saving energy and lowering overall home heating costs.

Keep forgetting to turn down your fireplace? Set the ValorStat to automatically turn down after six hours.



NO POWER, NO PROBLEM.™

If the power fails in the winter, your home can get cold fast.

Valor fireplaces are fully functional heaters that don't require electricity. Our fireplaces provide the perfect mixture of radiant and convective heat, eliminating the need for a fan.

No power, no problem.



NO FAN NECESSARY

We firmly believe that you shouldn't have to put up with the constant buzz of a fan to be warm. That's why we designed glowing fires to radiate heat and secondary heat exchangers to naturally circulate warm air by convection throughout the room. While a fan is an option, you'll likely find it unnecessary.



RELIABILITY

With over 100 years in the heating industry, we take pride in providing high-quality, safe products.

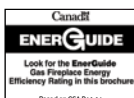
Every Valor product undergoes extensive safety testing so it's no surprise that many customers own more than one Valor fireplace in their lifetime.



FIREPLACE SAFETY — USE RADIANT HEAT SAFELY

Fireplace surfaces, in particular the glass viewing window, are extremely hot during operation and will remain hot for a period of time after the fireplace is turned off. Contact with the hot glass can cause severe burns. Close adult supervision is required if there are young children, or at-risk individuals in the house. Included with your purchase, a Valor barrier screen is recommended at all times. Install an approved after-market safety gate to keep toddlers, young children and at-risk individuals a safe distance from the fireplace.

For more information please visit valorfireplaces.com/safety.



Proudly made in North America

Copyright Miles Industries Ltd. 2018